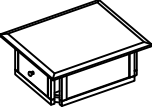
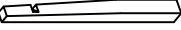
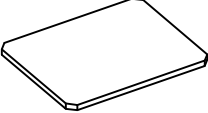


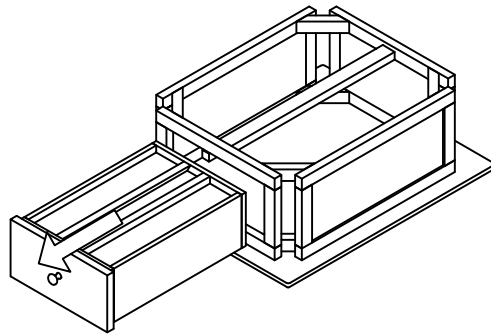
ASSEMBLY INSTRUCTIONS

QT2024

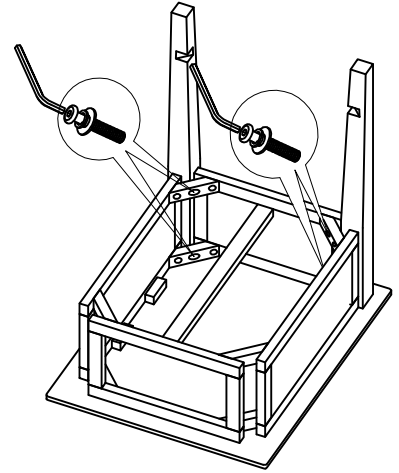
PARTS CHECK LIST

Thank you for purchasing this product. It has been designed for assembly so please follow the assembly instruction below

Item	Part name	Qty.
A		1
B		4
C		1






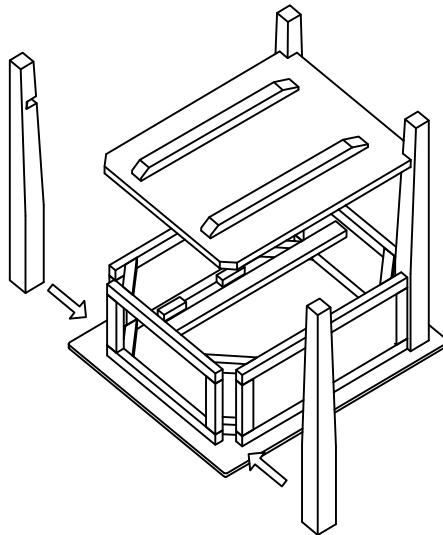
STEP 1



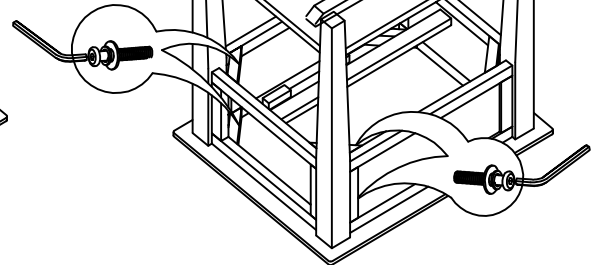
STEP 2

HARDWARE

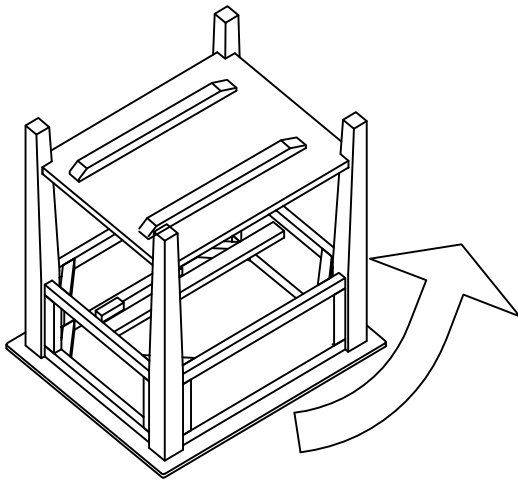
Item	Description		Qty.
	Photo	Specification	
C		Bolts 5/16"x60mm Lock washer 5/16" Flat washer 5/16"	8
D		Screw 4x30mm	4
E		4x60mm	1



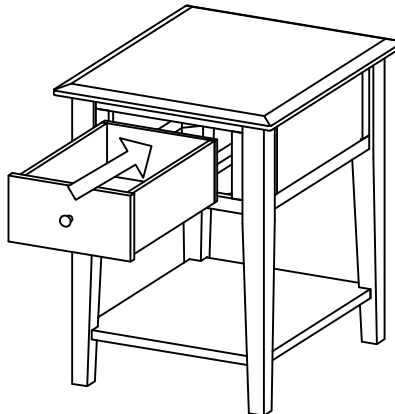
STEP 3



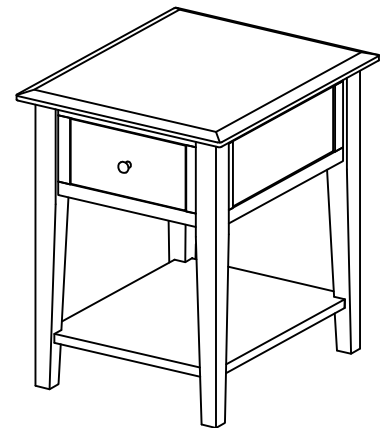
STEP 4



STEP 5



STEP 6



FINISH

Draw name :	Assembly Instruction	Designer / Drawer:		Code :	QT03BM06
Item :	2024	Confirm by customer :		Effective date :	Sep. 29. 2011
Pages :	1 / 1				