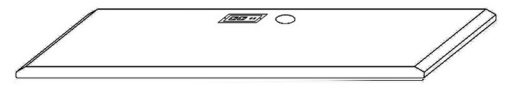
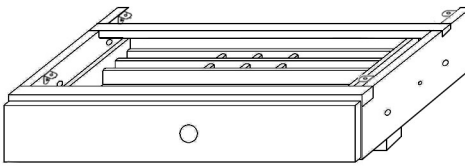
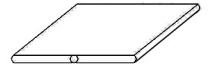
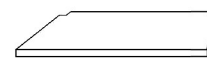


A. Left Base B. Right Base

C. Back Panel



D. Drawer Box

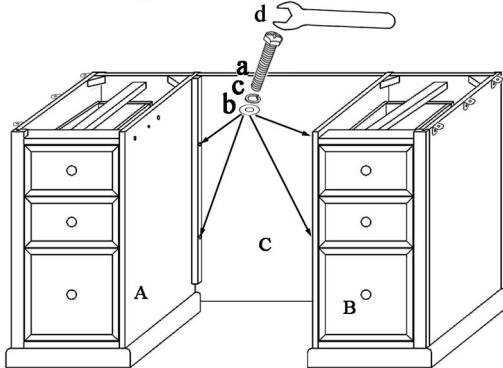


F. Shelf

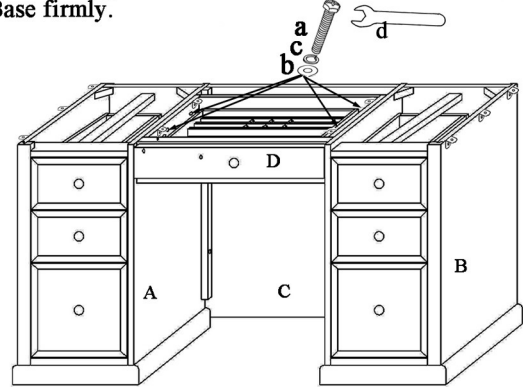
G. Writing board

a, bolts 5/16"x1-1/2"		8pcs
b, flat washers		8pcs
c, lock washers		8pcs
d, wrench		1pc
e, screws		12pcs
f, hole cover		1pc
g, hole cover		1pc
h, shelf pin		2pcs
i, keys		2pcs
j, the power outlet		1pc

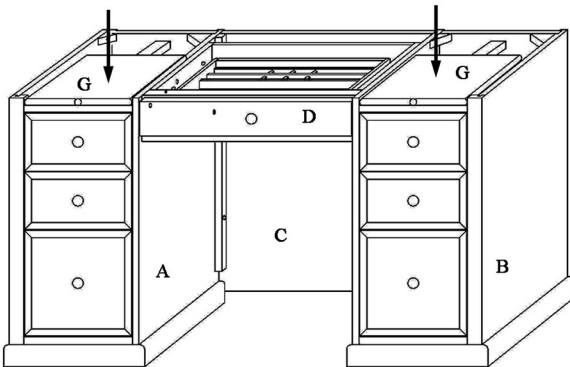
Step 1:
Connect the Back Panel, Left Base and Right Base by using the Bolts, Spring Washers and flat washers with Wrench, but do not tighten them firmly this moment.



Step 2:
Put the Drawer Box in the place between Left Base and Right Base, and connect them using the Bolts, Spring Washers and Flat Washers with Allen Wrench. Tighten Back Panel, Drawer Box, Side Panel and Right Base firmly.



Step 3:
Put the Writing Board on the top of the Base.



Step 4:
a, Place the Top to Base, then using Screw connect them together;
b, Put the Shelf Pin into hole of the Base and then put the Shelf on them;
c, Insert the cord hole cover into the hole on the Desk Top.
d, Use screw to attach the power outlet on the Desk Top.

